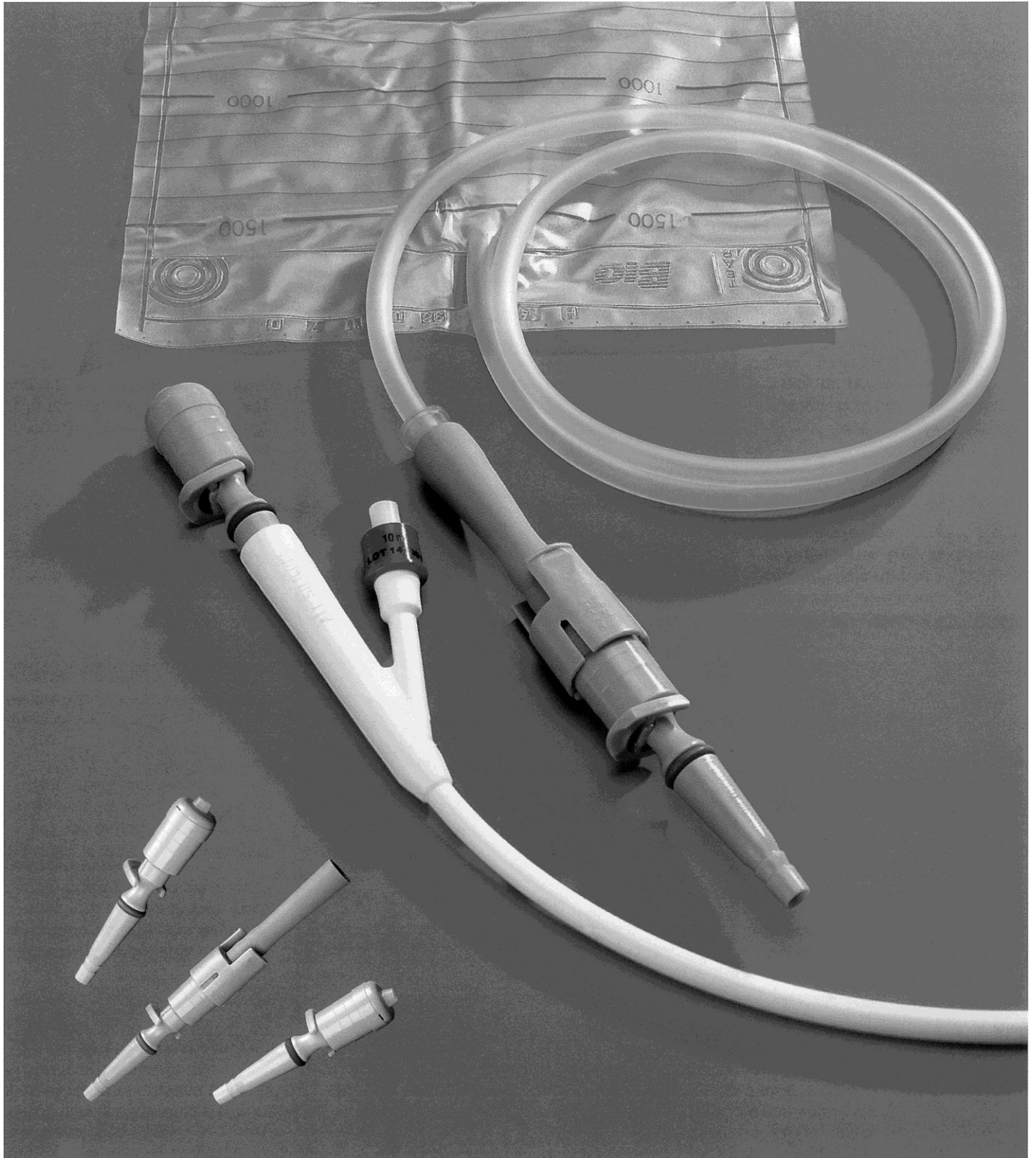


Catheter Valves



Válvulas de catéter



The alternative to carrying a urine bag

Urine drain valves recommended by physicians

- Reduces the risk of contamination many times over compared to catheter plugs
- Forms a closed system together with the indwelling catheter
- Allows bladder emptying in a natural rhythm
- Counteracts the loss of bladder capacity
- With precise opening and closing mechanism.
→ Makes every micturition more hygienic
- Is simple to clean
- Catheter valves are made of polyamide, spring steel and silicone
- They are delivered individually packaged and sterilized
- Sterilization process: Ethylene oxide (EO)
- Sterilization warranty:
With undamaged packaging and proper storage: 5 years



Catheter valve KV 100

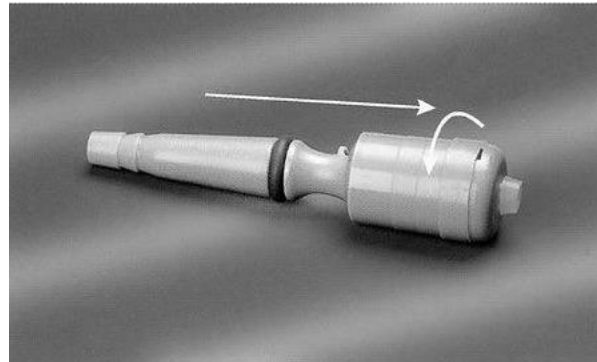
with bayonet lock
(for two-handed operation)

Possibility of overnight connection of the urine bag with the coupling piece

REF 300000ST

green O-ring
Weight 10 g

KV 100



Válvula de catéter KV 100

con cierre de bayoneta
(manejo con dos manos)

Posibilidad de conexión nocturna de la bolsa de orina con la pieza de acoplamiento

REF 300000ST

junta tórica verde
Peso 10 g



Catheter valve KV 100 EH

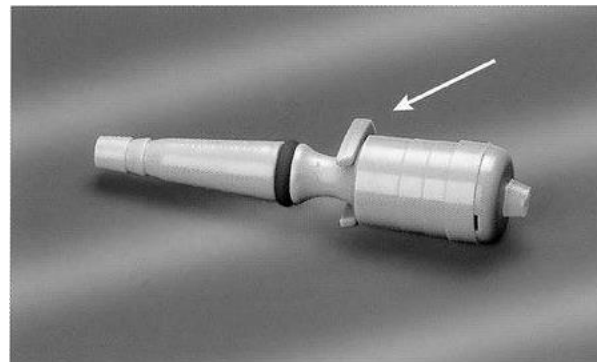
with trigger for one-handed operation and automatic closure mechanism

Urine bag connection not possible

REF 300100ST

red O-ring
Weight 10.5 g

KV 100 EH



Válvula de catéter KV 100 EH

con brida para manejo con una sola mano, dispositivo de cierre automático

No es posible conectar la bolsa de orina

REF 300100ST

junta tórica roja
Peso 10.5 g

Catheter valve KV 200 EH

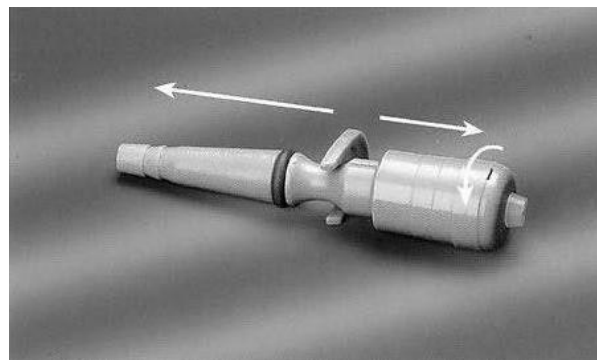
with trigger for one-handed operation, automatic closure mechanism and bayonet lock.

Possibility of overnight connection of the urine bag with the coupling piece

REF 300101ST

green O-ring
Weight 10.5 g

KV 200 EH



Válvula de catéter KV 200 EH

con brida para manejo con una sola mano, dispositivo de cierre automático y cierre de bayoneta

Posibilidad de conexión nocturna de la bolsa de orina con la pieza de acoplamiento

REF 300101ST

junta tórica verde
Peso 10.5 g

Possibility to connect a urine bag

Prevent multiple trips to the toilet during the night

All catheter valves with a **green** O-ring (KV 100, KV 200 EH) can be connected to **a urine bag together with the KP 200 coupling piece**.

Catheter valve KV 200 EH and coupling piece KP 200

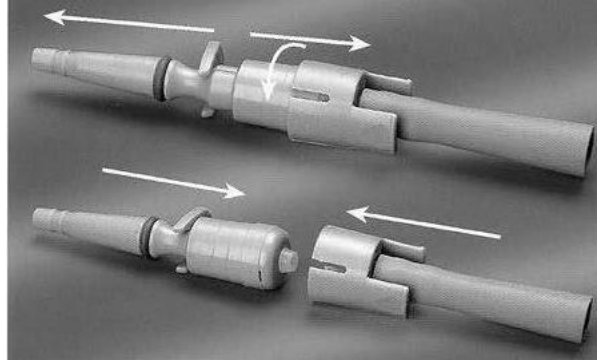
delivered as a set

For one-hand operation and connection of urine bag

REF 300102ST

green O-ring
Weight 17 g

KV 200 EHKP



Válvula de catéter KV 200 EH y pieza de acoplamiento KP 200

se suministra como un conjunto

Para manejo con una sola mano y conexión de la bolsa de orina

REF 300102ST

junta tórica verde
Peso 17 g

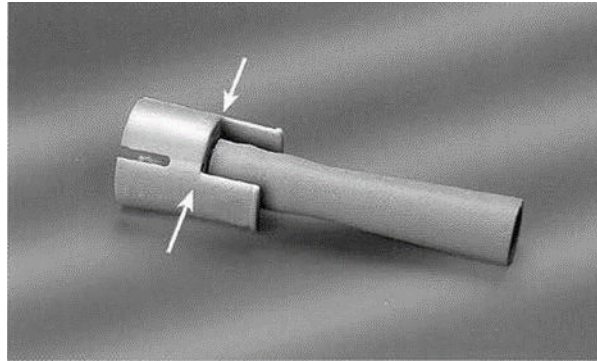
Coupling Piece KP 200 to connect a urine bag

to catheter valves KV 100 and KV 200 EH

REF 300200ST

Weight 6.5 g

KP 200



Pieza de acoplamiento KP 200 para conectar una bolsa de orina

a la válvula de catéter KV 100 y KV 200 EH

REF 300200ST

Peso 6.5 g

Accessories

Catheter plug

REF ST50016



Accesorios

Tapón de catéter

REF ST50016

Catheter clamp

REF ST50015



Abrazadera de catéter

REF ST50015

We will be happy to send you detailed documentation

Your specialist dealer

Con mucho gusto le enviaremos documentación detallada

Su distribuidor especializado